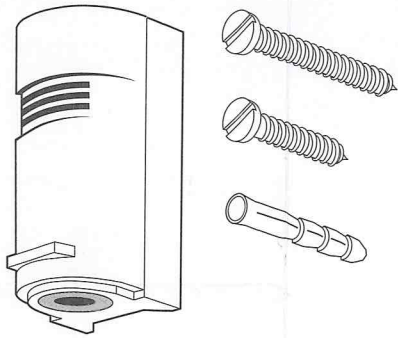
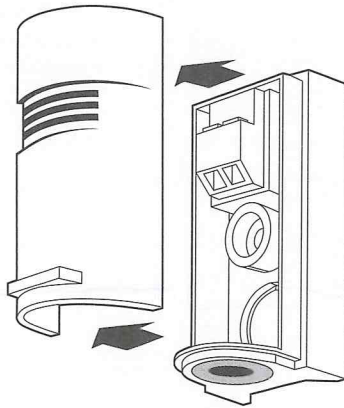


# OUTSIDE-SENSOR

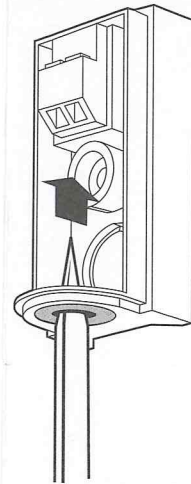
1



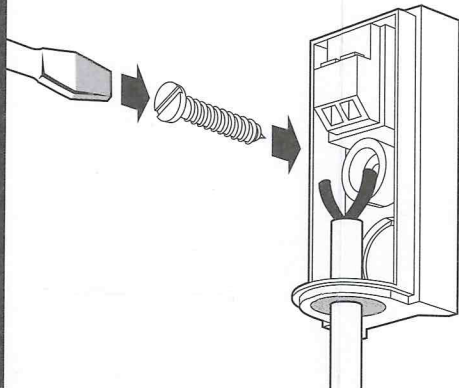
2



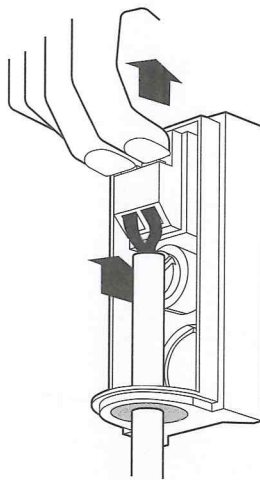
3



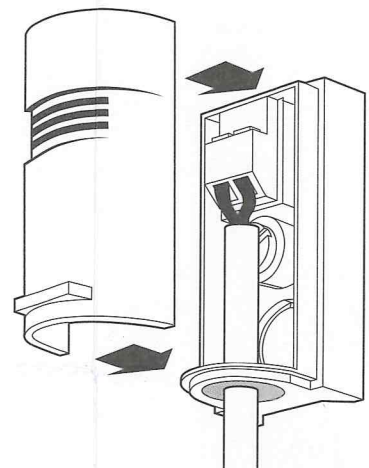
4



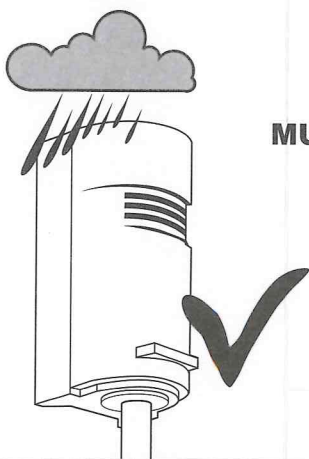
5



6

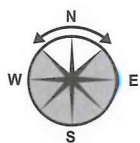


## CAUTION

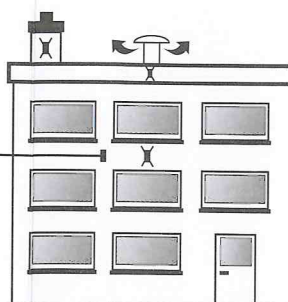


**MUST BE MOUNTED  
CABLE INLET  
FACING DOWN**

**DO NOT MOUNT  
WITH CABLE INLET  
FACING UP!**

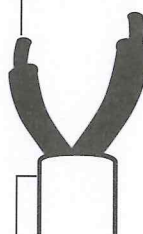


**SENSOR**



0,3 - 1,5 mm<sup>2</sup>

**(22 AWG / 100')  
(18 AWG / 150')**



Ø 3 - 7 mm

**(.118 - .275 DIAM)**